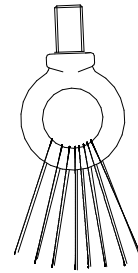
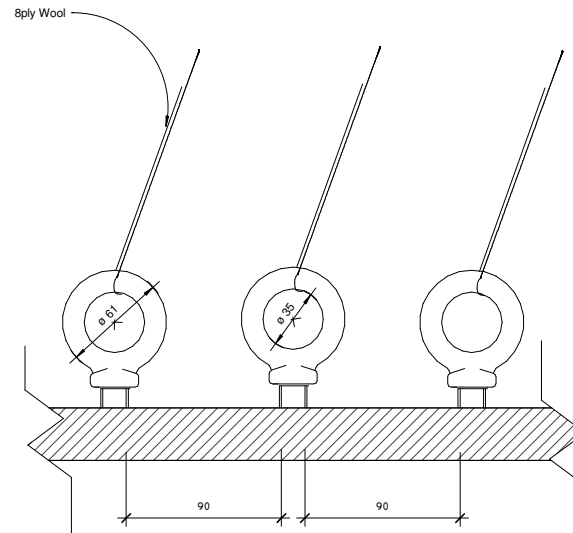


3 Threaded through Eyelets
1 : 5



1 Single Eyelet
1 : 2



2 Row of Eyelets
1 : 2

Rochelle Treymane

Project: No: III A

Threading the Performing, Writing Symposium into Wellington

Issue Date: 28/05/16

Drawn By: Treymane

Scale: As indicated

Threads secured by eyelet screws

A101

Sheet: